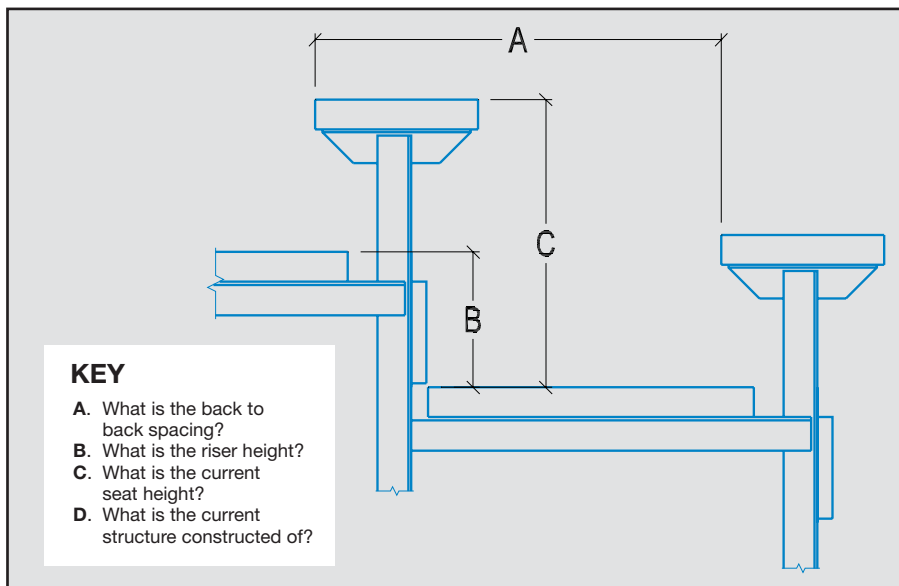


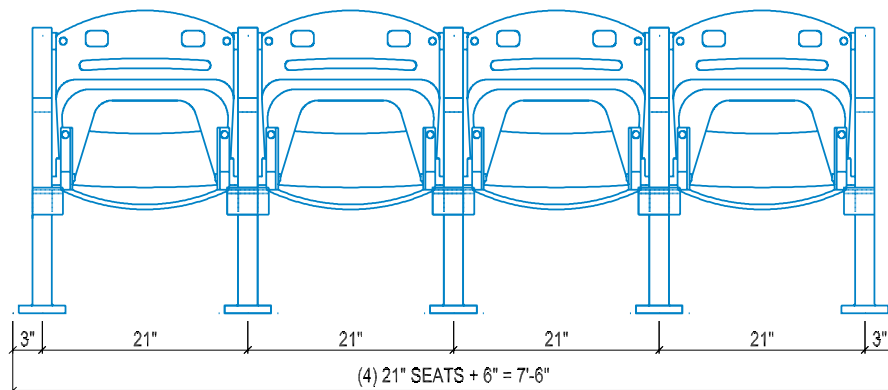
# Measuring

Champion Stadium and Arena Seating					
	Riser Greater Than 8"	Riser Less Than 8"	Back to Back Greater Than 28"	Back to Back Less Than 28"	Greater Than 17" Seat Height
Stadium	✓	✓	✓		✓
Arena	✓		✓		✓
Bleacher	✓	✓	✓	✓	
Sport	✓	✓	✓	✓	✓
Quarterback	✓	✓	✓	✓	✓
Spectator	✓	✓	✓	✓	✓

**Note:** A minimum of 32" back to back spacing is required if cup holders are used. The Bleacher with back to back less than 28" can only be used with a 12" seat.



## Calculating Row Length



Though the entire Champion line of stadium and arena seating is designed to retrofit an existing bleacher or grandstand system, it's important to determine the seat that best fits your structure.

By taking simple measurements and answering a few of questions, upgrading your bleachers or grandstand has never been easier.

## Calculating Row Length

End spacing is 3" per aisle end for a total of 6" per continuous row. Chair widths are measured from center of armrest to center of armrest. In order to provide extra row lengths for staggered seating, 21" chairs should be used in making preliminary estimates.

## Examples:

- 4 Champion seats at 21" is 7' 6".
- 10 Champion seats at 19" and 5 Champion seats at 20" is 24' 8".
- 15' row will accommodate 4 Champion seats at 19" and 5 Champion seats at 20"