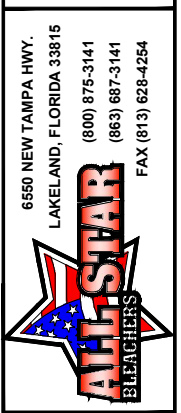
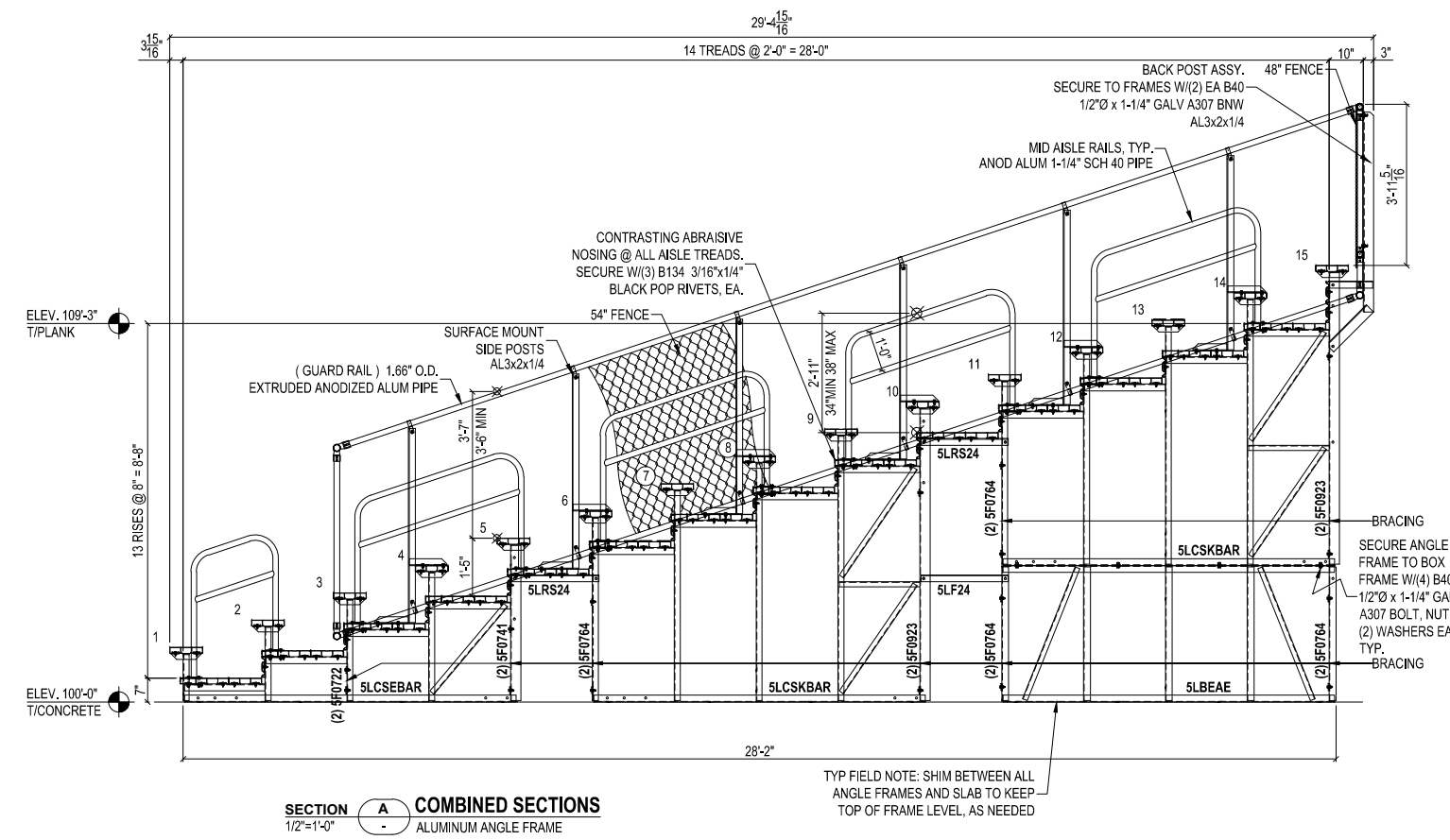
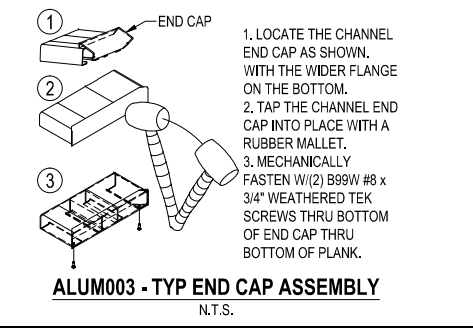
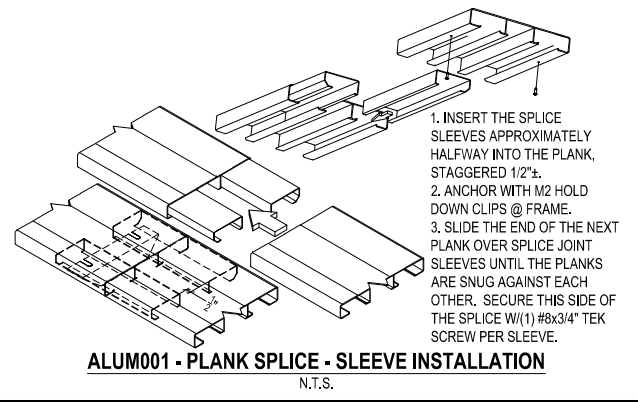
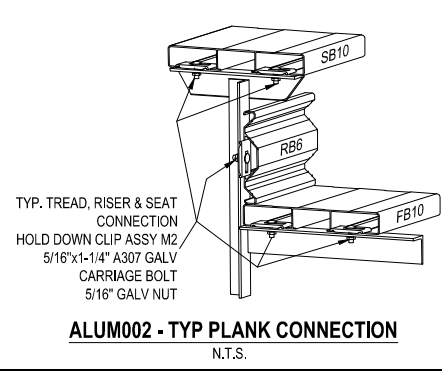
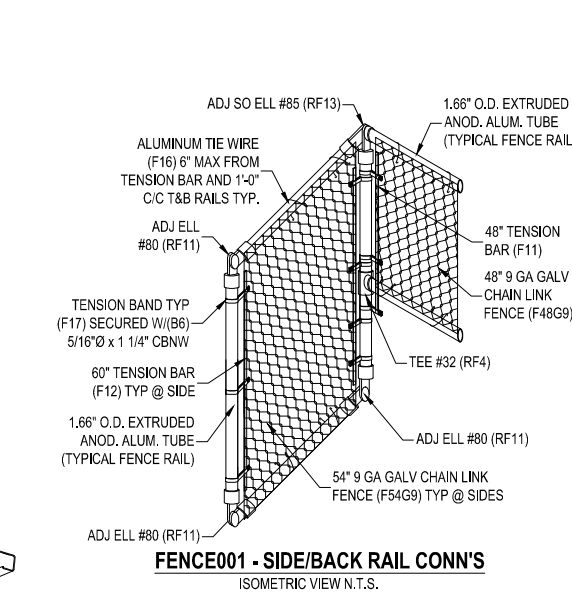
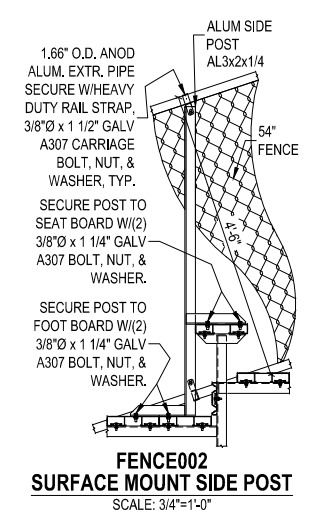
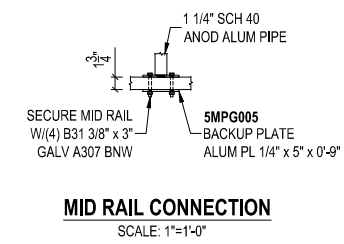
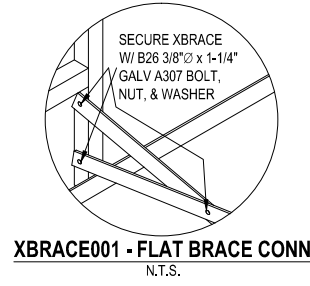


**SEATING PLAN**  
SCALE: 7/16"=1'-0"  
**CAPACITY: 168**



6550 NEW TAMPA HWY.  
LAKELAND, FLORIDA 33815  
(800) 875-3141  
(863) 687-3141  
FAX (813) 628-4254

This drawing is the property of **All Star Bleachers**. The information contained within is proprietary. Unauthorized reproduction through either mechanical or electronic medium is prohibited without the express written consent of **All Star Bleachers**.

(1) 15 ROW x 21'-0"

**15 ROW - PLAN, SECTION, & DETAILS**  
**SEMI-CLOSED PLANK CONFIGURATION**  
**8" RISE / 24" TREAD**  
**NON-ELEVATED**

DRAWN BY: BJK DATE: 2010  
CHKD BY: DATE:  
SCALE: NOTED  
JOB NUMBER:  
**STANDARD**  
SHEET NUMBER:  
**A15D21CA**  
Rev.: A

