

*### - RISE/RUN

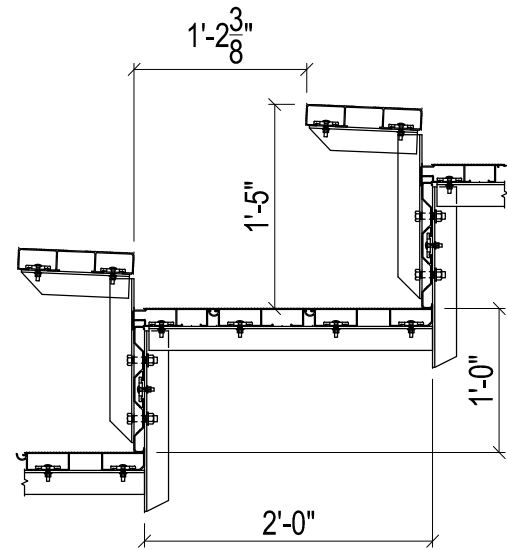
*LB - INTERLOCKING DECK CONFIGURATION

*SB10 - 2x10 SEAT BOARD

*SB12 - 2x12 SEAT BOARD

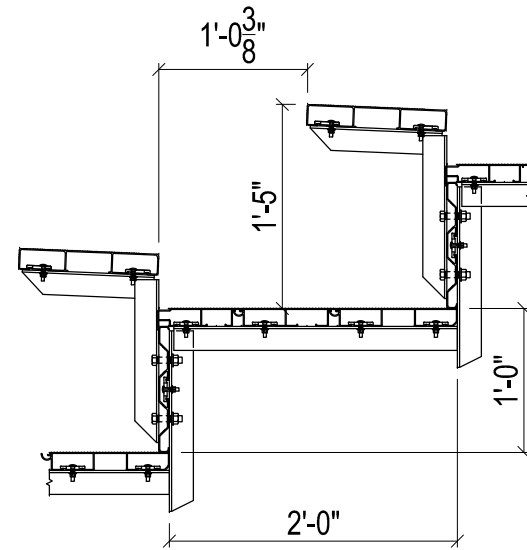
*WS10 - 2x10 WATERFALL SEAT BOARD

*CS12 - 2x12 CONTOURED SEAT BOARD



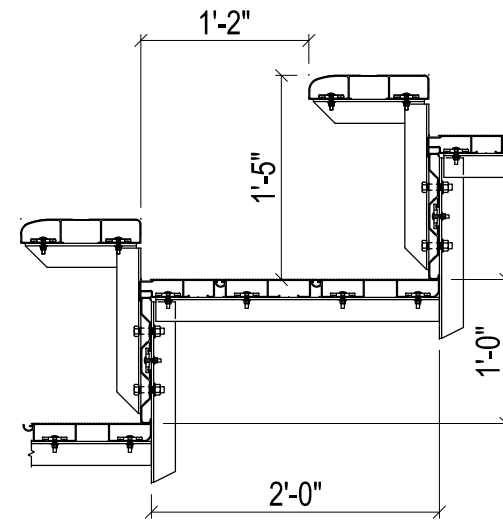
12/24 LB W/SB10 L-BRACKET

SCALE: 3/4"=1'-0"



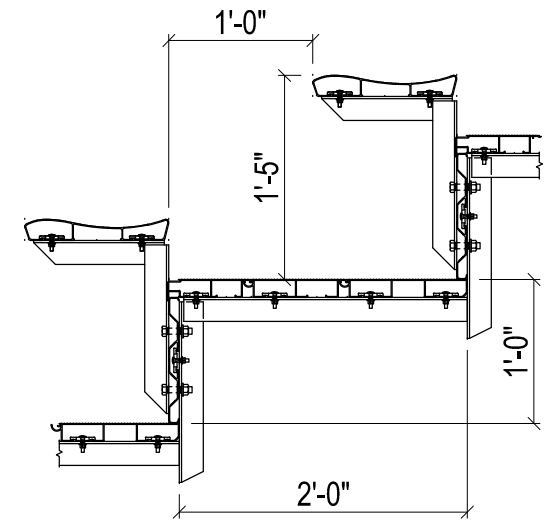
12/24 LB W/SB12 L-BRACKET

SCALE: 3/4"=1'-0"



12/24 LB W/WS10 L-BRACKET

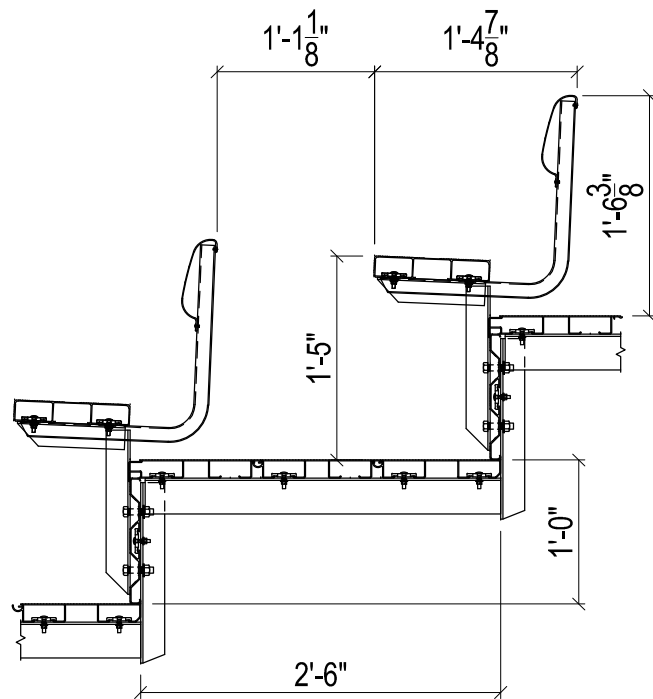
SCALE: 3/4"=1'-0"



12/24 LB W/CS12 L-BRACKET

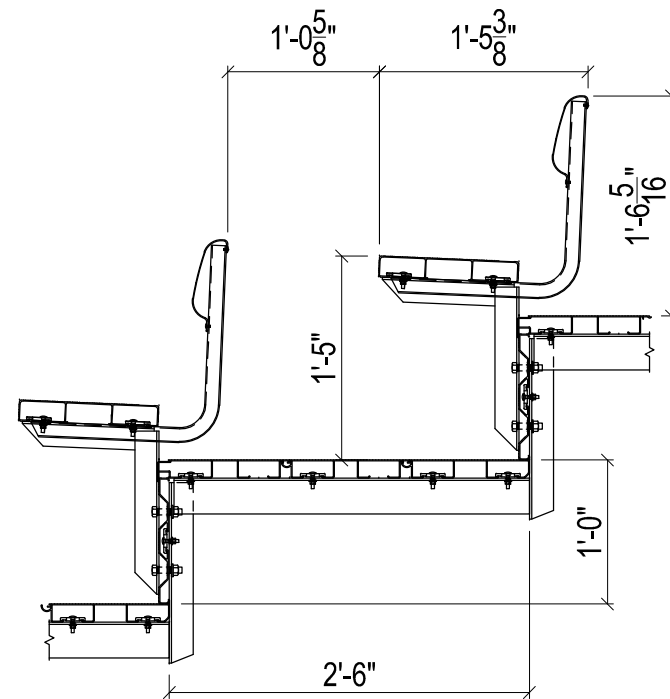
SCALE: 3/4"=1'-0"

SEATING SAMPLES W/BACK RESTS



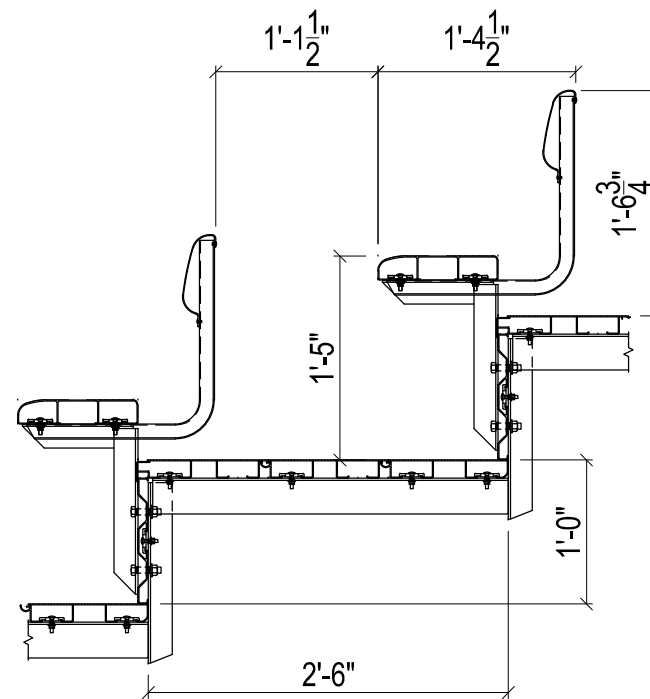
12/30 LB W/SB10 L-BRACKET

SCALE: 3/4"=1'-0"



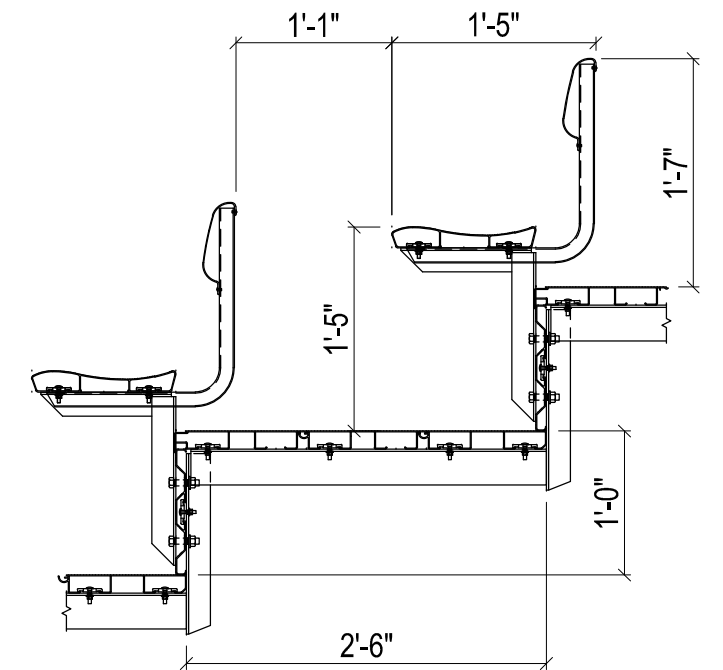
12/30 LB W/SB12 L-BRACKET

SCALE: 3/4"=1'-0"



12/30 LB W/WS10 L-BRACKET

SCALE: 3/4"=1'-0"



12/30 LB W/CS12 L-BRACKET

SCALE: 3/4"=1'-0"

This drawing is the property of All Star Bleachers Inc. The information contained within is proprietary. Unauthorized reproduction through either mechanical or electronic medium is prohibited without the express written consent of All Star Bleachers Inc.



TEL: 863-687-3141
FAX: 813-628-4254
6550 NEW TAMPA HWY.
LAKELAND, FL 33815

**BENCH SEATING
INTERLOCKING PLANK CONFIGURATIONS**