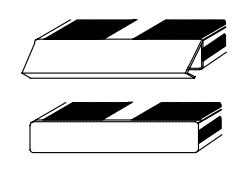


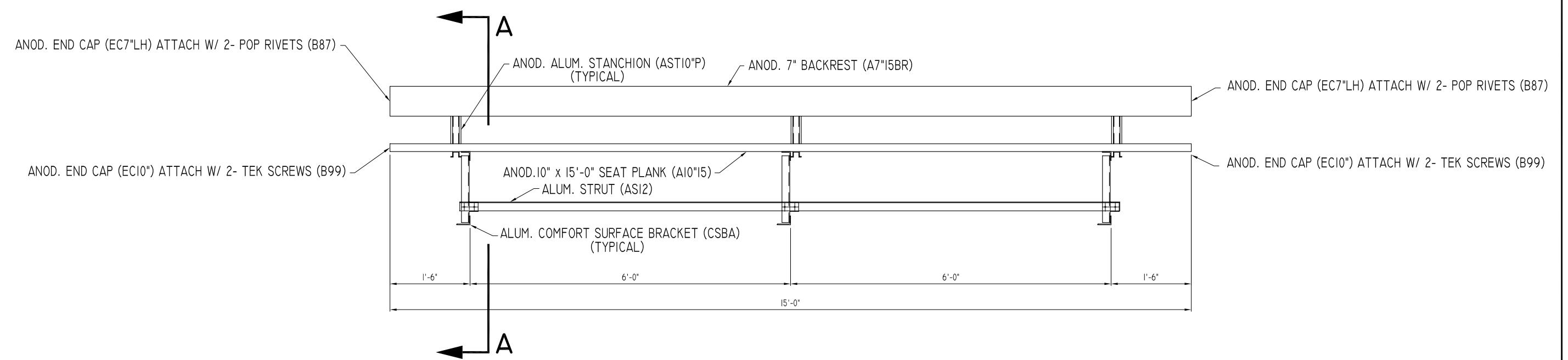
SECTION A-A
SCALE: 1" = 1'-0"



1. LOCATE THE CHANNEL END CAP AS SHOWN, WITH THE WIDER FLANGE ON BOTTOM.
2. TAP THE CHANNEL INTO PLACE WITH A RUBBER Mallet OR SOFT WOOD.
3. DRILL (2) No.8 x 9/16" TEK SCREWS W/ WEATHERCOATING THRU END CAP AND BOTTOM FLANGE OF PLANK

END CAP INSTALLATION DETAIL

PARTS LIST		
QTY PER UNIT	PART NUMBER	DESCRIPTION
1	CSBA15	ALUMINUM SURFACE MOUNT COMFORT TEAM BENCH x 15'-0"
1	A10'I5	ANOD. 2 x 10 x 15'-0" SEAT PLANK
1	A7'I5BR	ANOD. 7" BACKREST x 15'-0"
3	AST10'P	ANOD. ALUMINUM STANCHION (10" SEAT)
3	CSBA	MILL FINISH ALUMINUM COMFORT SURFACE MOUNT BRACKET
1	AS12	MILL FINISH ALUMINUM STRUT ANGLE (AL. L2 x 2 x 3/16 x 12'-4 1/4")
1	EC7'LH	ANOD. ALUMINUM END CAP, 7" L/H, BACKREST
1	EC7'RH	ANOD. ALUMINUM END CAP, 7" R/H, BACKREST
2	EC10"	ANOD. ALUMINUM END CAP (FOR 10" SEAT PLANK)
12	M2	TIE DOWN ASS'Y.
6	B25	3/8 x 1" BNW
6	B73	1/2 x 2 3/4" GALV. WEDGE ANCHOR
10	B87	No. 64 3/16 x 3/16 GRIP POP RIVET (FOR BACKREST & BACKREST END CAPS)
4	B99	No. 8 x 3/4 HEX WASHERED TEK SCREW (FOR 10" END CAPS)



ALUMINUM COMFORT TEAM BENCH x 15'-0" - CSBA15
(SURFACE MOUNT)
SCALE: 1/2" = 1'-0"

ISSUE	DATE

6550 NEW TAMPA HWY.
LAKELAND, FLORIDA 33815
FAX (813) 688-4254
(800) 875-3141
(863) 687-3141

ALUMINUM SURFACE MOUNT
COMFORT TEAM BENCH x 15'-0"
CSBA15

THIS DRAWING IS THE PROPERTY OF ALL STAR BLEACHERS. THE INFORMATION CONTAINED WITHIN IS PROPRIETARY. UNAUTHORIZED REPRODUCTION THROUGH EITHER MECHANICAL OR ELECTRONIC MEANS IS PROHIBITED WITHOUT THE EXPRESS WRITTEN CONSENT OF ALL STAR BLEACHERS.

DRAWN
FOY
CHECKED

DATE

SCALE
NOTED

JOB NO.
STANDERD
SHEET
CSBA15