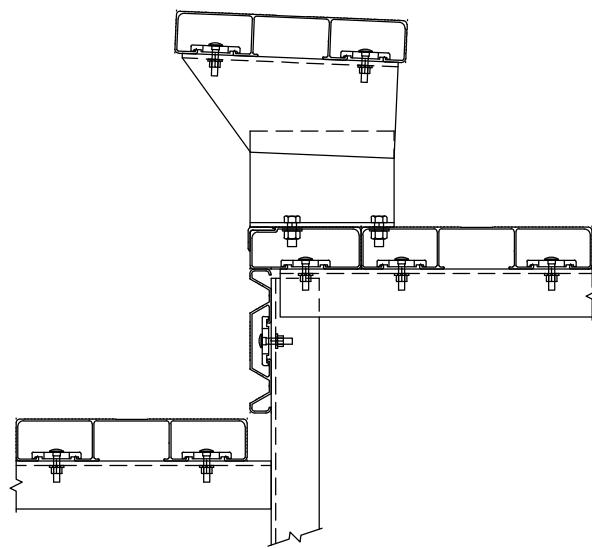
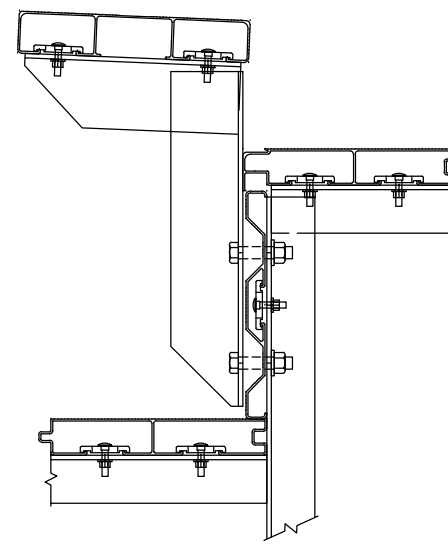


**SEMI-CLOSED DECK**



**CLOSED DECK**



**TONGUE & GROOVE DECK**

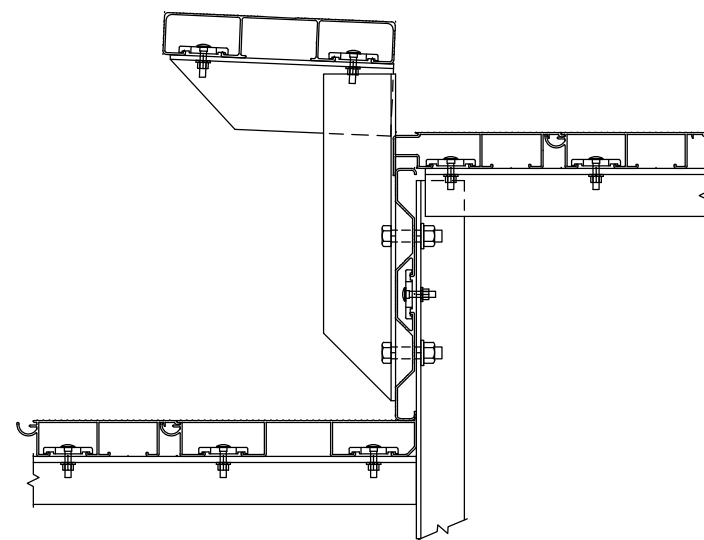
**Semi-Closed Deck.** Consists of a seat plank, tread planks and a riser plank arranged to reject a 4" sphere. Size of tread/riser planks depends upon desired riser height and tread depths. Tread plank vertical height: 1.75".

**Closed Deck.** Consists of a tread-mounted seat plank and a combination of tread or riser mounted planks to form a completely closed riser and tread. Tread plank vertical height: 1.75".

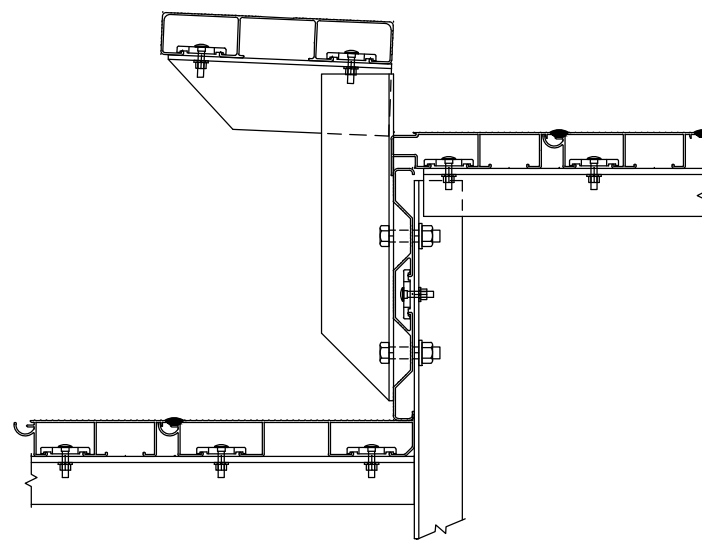
**Interlocking Deck.** Used to stiffen 1.5" vertical-height planks. The extrusion includes a lock joint feature, which joins the planks to each other.

**Welded Deck System.** Consists of a tread or riser-mounted seat plank with a combination of interlocking riser inserts. The tread planks are longitudinally shop welded, forming rigid, drip-free panels. Tread plank vertical height: 1.5".

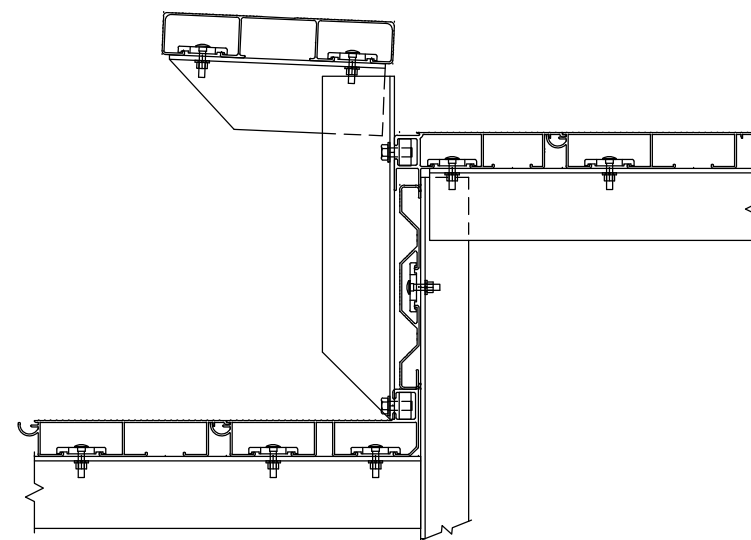
**Non-Penetrating Interlocking Deck.** Provides deck attachments without penetrating the aluminum extrusions. All attachments can be installed from above. Can be incorporated into the welded deck system.



**INTERLOCKING DECK**



**WELDED DECK**



**NON-PENETRATING INTERLOCKING DECK**