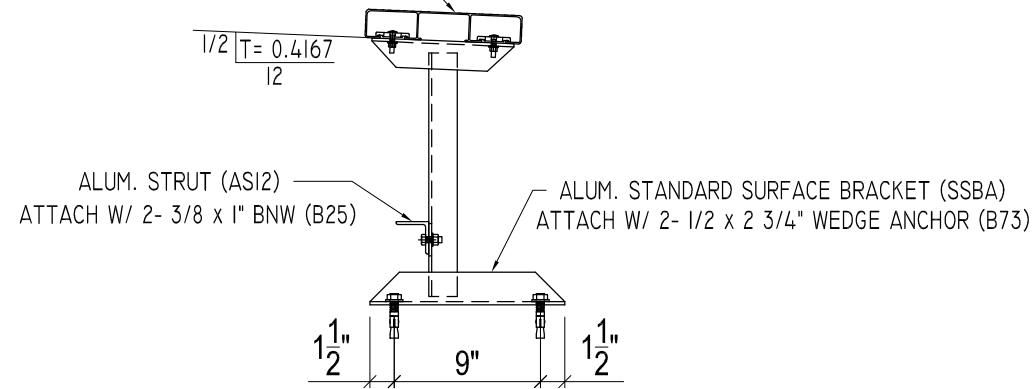
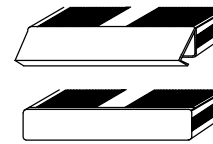


ANOD. 10" x 15'-0" SEAT PLANK (A10"15)
ATTACH W/ 2- TIE DOWN ASS'Y. (M2)



SECTION A-A

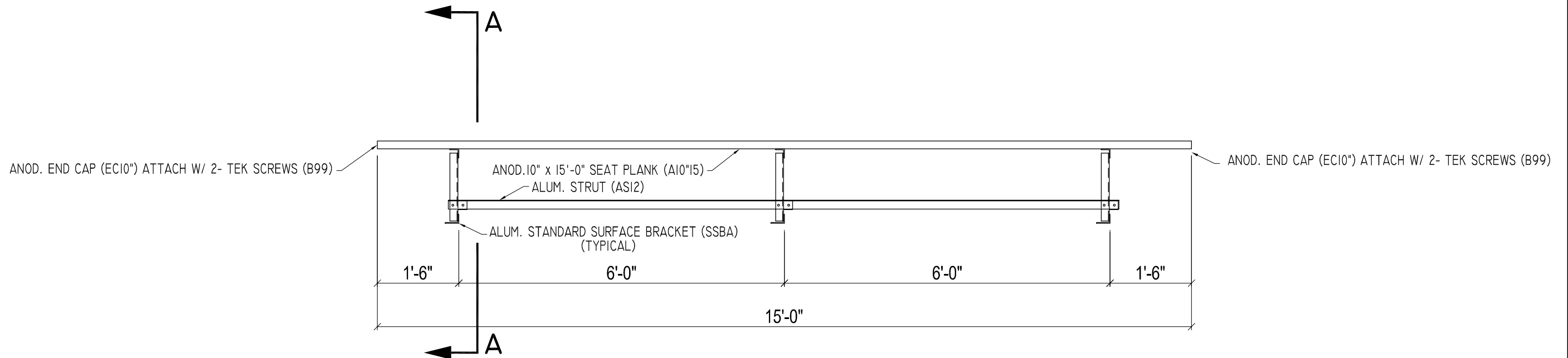
SCALE: 1" = 1'-0"



1. LOCATE THE CHANNEL END CAP AS SHOWN, WITH THE WIDER FLANGE ON BOTTOM.
2. TAP THE CHANNEL INTO PLACE WITH A RUBBER Mallet OR SOFT WOOD.
3. DRILL (2) No.8 x 9/16" TEK SCREWS W/ WEATHERCOATING THRU END CAP AND BOTTOM FLANGE OF PLANK

END CAP INSTALLATION DETAIL

PARTS LIST		
QTY PER UNIT	PART NUMBER	DESCRIPTION
1	SSBA15	ALUMINUM SURFACE MOUNT STANDARD TEAM BENCH x 15'-0"
1	A10"15	ANOD. 2 x 10 x 15'-0" SEAT PLANK
3	SSBA	MILL FINISH ALUMINUM STANDARD SURFACE MOUNT BRACKET
1	ASI2	MILL FINISH ALUMINUM STRUT ANGLE (AL. L2 x 2 x 3/16 x 12'-4 1/4")
2	EC10"	ANOD. ALUMINUM END CAP (FOR 10" SEAT PLANK)
6	M2	TIE DOWN ASS'Y.
6	B25	3/8 x 1" BNW
6	B73	1/2 x 2 3/4" GALV. WEDGE ANCHOR
4	B99	No. 8 x 3/4" HEX WASHERED TEK SCREW (FOR 10" END CAPS)



ALUMINUM STANDARD TEAM BENCH x 15'-0" - SSBA15

(SURFACE MOUNT)

SCALE: 1/2" = 1'-0"

6550 NEW TAMPA HWY.
LAKELAND, FLORIDA 33815
FAX (813) 668-4254
(800) 875-3141
(863) 687-3141

ALUMINUM SURFACE MOUNT
STANDARD TEAM BENCH x 15'-0"
SSBA15

THIS DRAWING IS THE PROPERTY OF ALL STAR BLEACHERS. THE INFORMATION CONTAINED WITHIN IS PROPRIETARY. UNAUTHORIZED REPRODUCTION THROUGH EITHER MECHANICAL OR ELECTRONIC MEDIA IS PROHIBITED WITHOUT THE EXPRESS WRITTEN CONSENT OF ALL STAR BLEACHERS.

THIS DRAWING IS THE PROPERTY OF ALL STAR BLEACHERS. THE INFORMATION CONTAINED WITHIN IS PROPRIETARY. UNAUTHORIZED REPRODUCTION THROUGH EITHER MECHANICAL OR ELECTRONIC MEDIA IS PROHIBITED WITHOUT THE EXPRESS WRITTEN CONSENT OF ALL STAR BLEACHERS.

DRAWN	FOY
CHECKED	
DATE	
SCALE	NOTED
JOB NO.	STANDARD
	SHEET
	SSBA15

ISSUE	DATE